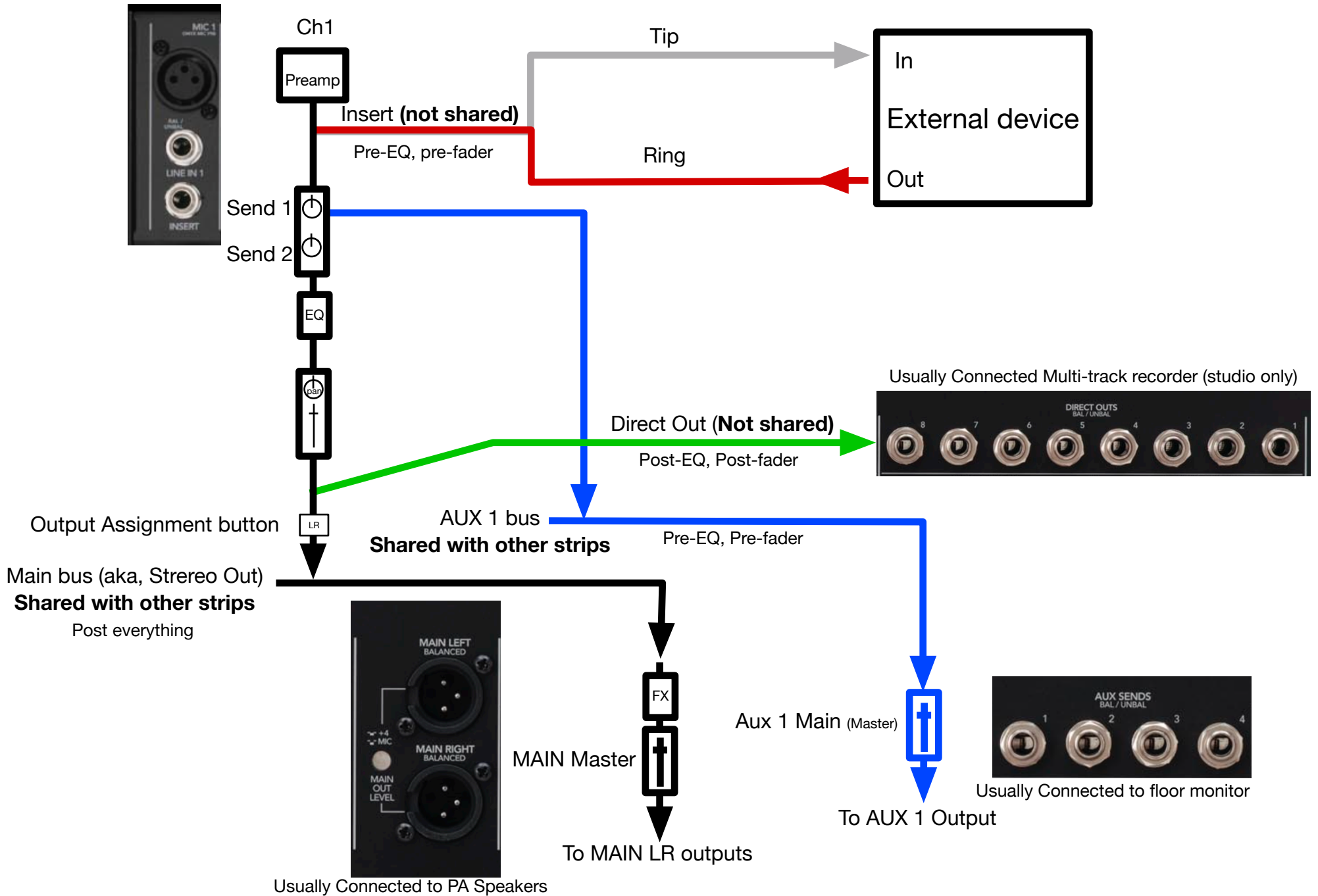


# Channel Routed to MAIN LR outputs, PRE-FADER AUX 1, Inserted External Device, and Direct Out



# Channel Routed to MAIN LR outputs, POST-FADER AUX 1, Inserted External Device, and Direct Out

